



Nice

1461J & Pro-1461J

Technical Training

For more information, please visit www.devancocanada.com or call toll free at 1-855-931-3334

Training Overview

03 Product Overview & Intended Use

04 Technical Specifications Comparison

05 Key Differences: 1461J vs Pro-1461J

06 Components & Accessories

08 Installation Overview

09 Wall Station & Remote Controls

11 Nice G.O. App — 1461J Only

12 Limit Setup & Programming

13 Safety Beam Setup & Alignment

14 LED Troubleshooting Guide

15 Field Reset, Maintenance & Warranty

16 Quick Reference Guide

Product Overview

1461J

Residential Wall Mount Garage Door Opener

- Doors up to 850 lbs
- Up to 14 ft high, 18 ft wide sectional doors
- 24 VDC motor with absolute encoder
- Wi-Fi Wall Station (HAE00080) — included
- MegaCode Receiver (OXIMGC/A) — pre-installed
- Battery Backup (PS124/US) — pre-installed
- Vacation lock & light panel control
- Nice G.O. App smartphone support
- GAP13101 shaft coupling — included
- Electronic Door Lock (MV00529) — included

Pro-1461J

Commercial Door Operator

- Doors up to 850 lbs
- Up to 14 ft high, 18 ft wide sectional doors
- 24 VDC motor with absolute encoder
- Open/Close/Stop Wall Station (MV00003) — included
- MegaCode Receiver (OXIMGC/A) — optional/sold separately
- Battery Backup (PS124/US) — optional/sold separately
- OGI dry contact output (full-open signal)
- 24VDC external light terminal
- GAP13101 shaft coupling — optional/sold separately
- Electronic Door Lock (MV00529) — optional/sold separately

Technical Specifications

| Specification | 1461J | Pro-1461J |
|------------------------------|---------------------------------------|---------------------------------------|
| Power Supply | 115V AC, 60 Hz | 115V AC, 60 Hz |
| Amperage | 1.6 A | 1.6 A |
| Wattage | 350 W | 350 W |
| Motor Type | 24 VDC with absolute encoder | 24 VDC with absolute encoder |
| Motor Speed | 30 RPM | 30 RPM |
| Torque | 37 ft-lbs (50 Nm) | 37 ft-lbs (50 Nm) |
| Duty Cycle | Max 10 cycles / hour | Max 10 cycles / hour |
| Dimensions | 4.5 × 11.7 × 14.8 in (115×298×375 mm) | 4.5 × 11.7 × 14.8 in (115×298×375 mm) |
| Weight | 25 lbs (11.3 kg) | 23 lbs (10.5 kg) |
| Protection Level | IP 40 | IP 40 |
| Operating Temp | -4 °F to 122 °F (-20 to 50 °C) | -4 °F to 122 °F (-20 to 50 °C) |
| Max Door Height | 14 ft (4.3 m) | 14 ft (4.3 m) |
| Max Door Weight | 850 lbs | 850 lbs |
| Max Door Width | 18 ft | 18 ft |
| Application | Residential | Commercial |
| Replacement PCBA part number | 10034974 | 10035040 |

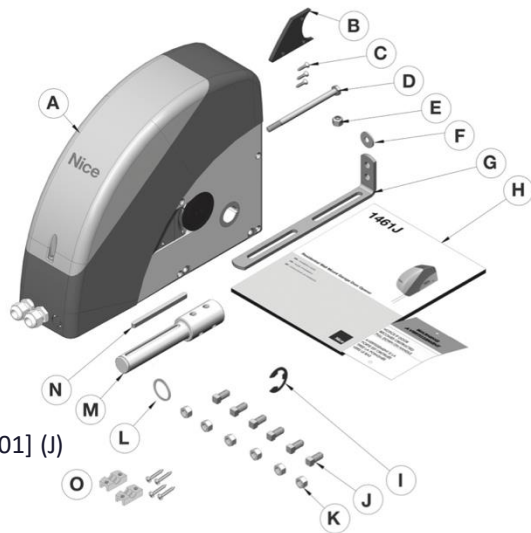
Key Differences: 1461J vs Pro-1461J

| FEATURE | 1461J (RESIDENTIAL) | PRO-1461J (COMMERCIAL) |
|-------------------|--|--|
| Application | Residential | Commercial |
| Wall Station | HAE00080 Wi-Fi Station (single toggle button) | MV00003 Open/Close/Stop Station (3 dedicated buttons) |
| MegaCode Receiver | OXIMGCA — PRE-INSTALLED | OXIMGCA — optional, sold separately |
| Battery Backup | PS124/US — PRE-INSTALLED | PS124/US — optional, sold separately |
| Shaft Coupling | GAP13101 — INCLUDED in box | GAP13101 — optional, sold separately |
| Nice G.O. App | Supported via Wi-Fi Wall Station | NOT supported — no Wi-Fi |
| OGI Dry Contact | Available — door full-open output signal | Available — door full-open output signal |
| 24VDC Light | External 24VDC light terminal on board | External 24VDC light terminal on board |
| Vacation Lock | Yes — via Wall Station LOCK button | Not available |
| Compliance | UL-325 | UL-325 |


Components & Accessories – 1461J

Components

- Motor [includes 1461J PCBA PN: 10034974 – not pictured] (A)
- Cover — horizontal install (B)
- 3 Self-tapping screws (C)
- M8 × 130 screw (D)
- M8 locknut (E)
- D8 washer (F)
- Mounting bracket (G)
- Manuals & safety labels (H)
- Retaining ring [for GAP13101] (I)
- 6× 1/4" square head bolts [for GAP13101] (J)
- 6× 1/4" hex nuts [for GAP13101] (K)
- Large washer [for GAP13101] (L)
- GAP13101 Adapter (M)
- Machine key [for GAP13101] (N)
- 2 Cable anchors + 4 screws (O)



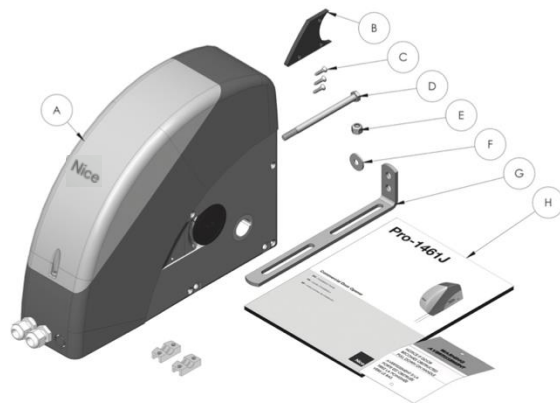
Accessories

| | | | |
|--|---|--|--|
|  <p>HAE00080 Wall Station Pc./Pack 1 Set</p> |  <p>MTS3 3 Button Remote Transmitter Pc./Pack 1</p> |  <p>HAE00079 Optical Safety Beam Assembly Pc./Pack 1</p> |  <p>OXIMGC/A (pre-installed in motor) MegaCode Receiver Pc./Pack 1</p> |
|  <p>MV00529 E-Lock Pc./Pack 1</p> |  <p>PS124/US (pre-installed in motor) Battery Backup Pc./Pack 1</p> | <p>Not included</p>  <p>DNT00094 Keypad</p> | |

Components & Accessories – Pro-1461J

Components

- Motor [includes Pro-1461J PCBA PN: 10035040 – not pictured] (A)
- Cover — horizontal install (B)
- 3 Short self-tapping screws (C)
- M8 × 130 screw (D)
- M8 locknut (E)
- D8 washer (F)
- Mounting bracket (G)
- Manuals & safety labels (H)
- 2 Cable anchors + 4 long screws (I)



Included Accessories



MV00003
Open/Close/Stop Wall Station
Pc./Pack 1 Set



HAE00081
Optical Safety Beam Assembly
Pc./Pack 1

Optional Accessories



PS124/US
Battery Backup



MTS3
3 Button Remote Transmitter
(OXIMGC/A required)



OXIMGC/A
MegaCode Receiver



MV00529
E-Lock



DNT00094
Keypad



GAP13101
Shaft adapter for unkeyed
1" door shaft



MV00001
Single button
wall station

Installation Overview — Key Steps

01

Check Door Balance

Open & close manually — no binding, sticking, or rubbing. Release at halfway: door must stay in place. Correct any imbalance before installing. **MUST install with door CLOSED.**

02

Install Shaft Coupling

1461J: GAP13101 included. Pro-1461J: GAP13101 sold separately. Slide coupling onto door shaft, add square bolts, machine key, large washer, and retaining ring.

03

Secure the Unit to Wall

Position unit parallel to wall. Fasten bracket (G) to motor using bolt (D), washer (F), and nut (E). Fasten bracket to wall with appropriate wall plugs (not provided).

04

Electrical Connections

Power OFF before wiring. Open protective cover. Insert cables 8–12" longer than needed. Use cable ties to secure wiring. Reinstall cover before applying power.

05

Install & Wire Wall Station

1461J: Connect to SBS terminals. Pro-1461J: Wire OPEN, CLOSE, STOP terminals — remove jumper from STOP. Mount at ≥ 5 feet above floor, in view of door.

06

Safety Beams & Limits

Mount beams at 5-1/2" AFF. Align until receiver red LED is solid. Set limits (L3+L4 flash = ready), then run Auto Door Force (2.5 cycles when L6 flashes).

Wall Station Comparison

1461J — HAE00080 Wi-Fi Wall Station

| | |
|-----------------------|--|
| Up/Down button | Single toggle: same button opens & closes |
| LOCK button | Vacation lock — blocks remotes from opening |
| LIGHT button | Controls operator's built-in light panel |
| Wi-Fi | Pairs with Nice G.O. smartphone app |
| Top LED | Vacation mode indicator (flashing = enabled) |
| Bottom LED | Wi-Fi status: Red/Blue/Yellow/Magenta |
| Wire terminals | Connect to SBS terminals on operator |
| Mount height | Minimum 5 feet above floor |

Pro-1461J — MV00003 Open/Close/Stop Station

| | |
|------------------------|---|
| OPEN button | Dedicated OPEN command only |
| CLOSE button | Dedicated CLOSE command only |
| STOP button | Immediate STOP at any time |
| No LOCK button | No vacation lock feature available |
| No LIGHT button | No built-in light panel control |
| No Wi-Fi | No Nice G.O. app — no smart connectivity |
| Wire terminals | OPEN, CLOSE, STOP — remove jumper on STOP |
| Mount height | Minimum 5 feet above floor |

Remote Controls & Connectivity

1461J — Remote Controls

MegaCode Receiver

OXIMGC/A — PRE-INSTALLED in motor

Included Remote

MTS3 — 3-button remote transmitter

Optional Keypad

DNT00094 (sold separately)

Pair Remote

Hold PROGRAM 1 sec (LED red) → press remote within 15 sec → LED flashes green 4×

Delete Remote

Hold PROGRAM 1 sec → hold remote 10 sec → LED flashes red 3×

Delete All Remotes

Hold PROGRAM button 10 seconds → LED flashes red 3×

Pro-1461J — Remote Controls

⚠ OXIMGC/A receiver is NOT pre-installed.
Must be purchased and installed separately to use any remote controls.

MegaCode Receiver

OXIMGC/A — sold separately, install in board slot

Remote Transmitter

MTS3 3-button remote (sold separately)

Optional Keypad

DNT00094 (sold separately)

Programming

Identical to 1461J once receiver is installed

Nice G.O. App — 1461J

Smart Home Integration

The 1461J Wi-Fi Wall Station enables full smartphone control of your garage door via the Nice G.O. app.

- Operate garage door from any location
- Invite and manage other users' access
- Schedule automatic open/close events
- Receive alerts for all door activity
- Control vacation lock and light
- Enables pre-close safety buzzer warning

App Setup Steps

- 1** Verify Wi-Fi in garage
(need 2+ bars for reliable connection)
- 2** Download Nice G.O. app
(iOS App Store or Google Play)
- 3** Create account and sign in
- 4** Tap '+' → 'Connect Your Device'
Follow in-app instructions
- 5** To disable pre-close warning if needed:
Delete device from Nice G.O., then power cycle motor

Limit Setup & Programming

Identical procedure on both models — performed via on-board control board buttons.

LED Programming Mode Reference

| | |
|-------------------------|-----------------------------|
| L3 + L4 Flashing | Limit Set Mode — ready |
| L8 Flashing | Open Limit Set Mode active |
| L1 Flashing | Close Limit Set Mode active |
| L6 Flashing | Auto Door Force required |
| L8 ON (solid) | Door is fully open |
| L1 ON (solid) | Door is fully closed |

Step-by-Step Limit Setup Procedure

1

Start with door **FULLY CLOSED** and photocells aligned. L3+L4 flashing confirms operator is ready for limit setup.

2

OPEN LIMIT: Hold ■ + ▲ for 3 seconds. L8 begins flashing — now in Open Limit Set mode.

3

Hold ▲ or ▼ to move door to the fully OPEN position. Hold ■ for 5 seconds to confirm the open limit.

4

CLOSE LIMIT: L1 begins flashing automatically. Hold ▲ or ▼ to move door to fully CLOSED position.

5

Hold ■ for 5 seconds to confirm the close limit. L6 will flash — Auto Door Force must now be performed.

6

AUTO DOOR FORCE: Press ▲ to open door. Door completes 2.5 cycles. L8 remains ON when complete.

Safety Beam Setup & Alignment

Both models use the same installation and alignment procedure. (1461J: HAE00079 | Pro-1461J: HAE00081)

Installation Steps

- 1** Assemble brackets from four L-shaped pieces using 1/4"-20 × 3/4" bolts and keps nuts.
- 2** Position brackets so beam lens centers are 5-1/2" above floor on both sides of door.
- 3** Receiver (unit with 2 indicators) on SHADY side of door — prevents sunlight interference.
- 4** Drill two 3/16" pilot holes; mount brackets with 1/4" × 1-1/4" lag screws using 7/16" socket.
- 5** Insert sender and receiver into brackets facing each other. Twist until spring clip locks into detent.
- 6** Route wiring AWAY from all moving door parts. At operator: twist one wire from each pair together and connect both pairs to PHOTO terminals.

Safety Beam LED Guide

| | | |
|---|---------------------|--------------------------|
|  | Green ON | Power on — OK |
|  | Green OFF | Power off |
|  | Red ON | Beam clear — no blockage |
|  | Red OFF | Beam blocked/misaligned |
|  | Red FLASHING | Beam aligned poorly |

Alignment Tip

Rotate sender upward until red flickers, then slowly rotate back down to horizontal until red LED goes solid. Beam is now aligned.

LED Troubleshooting Guide

Applies to both 1461J and Pro-1461J — same LED codes and remedies on both models.

| LED / Operator Light | Status / Meaning | Remedy |
|---|--------------------------------|--|
| L3+L4 flashing | Limits not set | Complete limit setup |
| L8 flashing | Open Limit Set mode | Set OPEN limit via on-board buttons |
| L1 flashing | Close Limit Set mode | Set CLOSE limit via on-board buttons |
| L8 ON solid | Door is fully OPEN | Normal — no action needed |
| L1 ON solid | Door is fully CLOSED | Normal — no action needed |
| All LEDs OFF | Door is mid-travel | Normal — no action needed |
| Operator light 2× flash; door reverses | Safety Beam blocked | Check for obstacles; realign beams |
| Operator light 3× flash; reverses or won't move | Force intervention | Check door obstruction/binding; field reset |
| Operator light 4× flash; door does not move | STOP terminal jumper missing | 1461J: ensure SBS jumper in place Pro-1461J: use jumper if no O/C/S station installed |
| Operator light 5× flash; door does not move | Control unit error | Wait 30 sec; retry. Replace board if persists |
| Operator light 6× flash; door does not move | Max duty cycle reached | Wait a few minutes; retry |
| Operator light 7× flash; door does not move | Internal electrical error | Power cycle; if persists check board/motor wiring |
| Operator light 8× flash; door does not move | Multiple simultaneous commands | Power cycle the operator |
| L5 flashes rapidly | Memory error | Contact Nice Tech Support: 760-438-7000 |
| L6 flashes rapidly | Auto force search pending | Run Automatic Door Force Setup (press open button) |

Field Reset, Maintenance & Warranty

Field Reset (Both Models)

Restores encoder defaults: Perform on workbench or floor (not installed). Motor must be engaged (grey handle pulled) so that hollow shaft turns. Re-set limits after reset.

To perform field reset without resetting encoder complete steps 1 & 2 (motor can be installed). Re-set limits after reset.

- 1 Hold ▲ and ▼ simultaneously — LEDs L1–L8 will all turn ON.
- 2 When L1–L8 turn OFF and ONE LED turns ON, release ▲ and ▼.
- 3 Hold ■ until operator starts moving — once motor stops encoder is reset.
- 4 All LEDs turn ON then OFF → L3+L4 flash: reinstall motor with **DOOR FULLY CLOSED** and set limits.

Maintenance & Warranty

MONTHLY

- Disconnect from torsion bar; disengage E-Lock if installed
- Open & close door manually — check for binding/rubbing
- Release door at halfway — must stay in place (balance check)
- Reconnect motor; re-check safety beam alignment

EVERY 6 MONTHS

- Verify operator is properly secured to wall

EVERY 12 MONTHS

- Perform a complete service check

LIMITED WARRANTY

| Component | 1461J | Pro-1461J |
|---------------------|----------|-----------------------|
| Electronics/Battery | 1 Year | 1 Year |
| Mechanical | 5 Years | 4 Yrs / 25,000 cycles |
| Motor | Lifetime | 4 Yrs / 25,000 cycles |

Quick Reference Guide

| BOTH MODELS | 1461J | PRO-1461J |
|---|---|---|
| Install with door fully <u>CLOSED</u> | MegaCode receiver PRE-INSTALLED | OXIMGC/A receiver NOT included |
| Safety beams at 5-1/2" AFF | Battery backup PS 124/US PRE-INSTALLED | Battery backup PS 124/US NOT included |
| Red handle = disconnect from torsion bar | Wi-Fi Wall Station HAE00080 included | Open/Close/Stop Station MV00003 incl. |
| Grey handle = reconnect to torsion bar | Nice G.O. app | NO Nice G.O. app support |
| L3+L4 flash = ready for limit setup | GAP13101 shaft adapter INCLUDED | GAP13101 sold separately |
| Field reset: ▲+▼ → ■ → re-set limits Motor must be removed from torsion bar and engaged (grey handle pulled) | Vacation lock via Wall Station LOCK button or app | OGI dry contact for full-open signal |
| E-Lock auto re-engages after electric close | Mechanical warranty: 5 years | Mechanical warranty: 4 yrs / 25K cycles |
| | Replacement PCBA part number: 10034974 | Replacement PCBA part number: 10035040 |